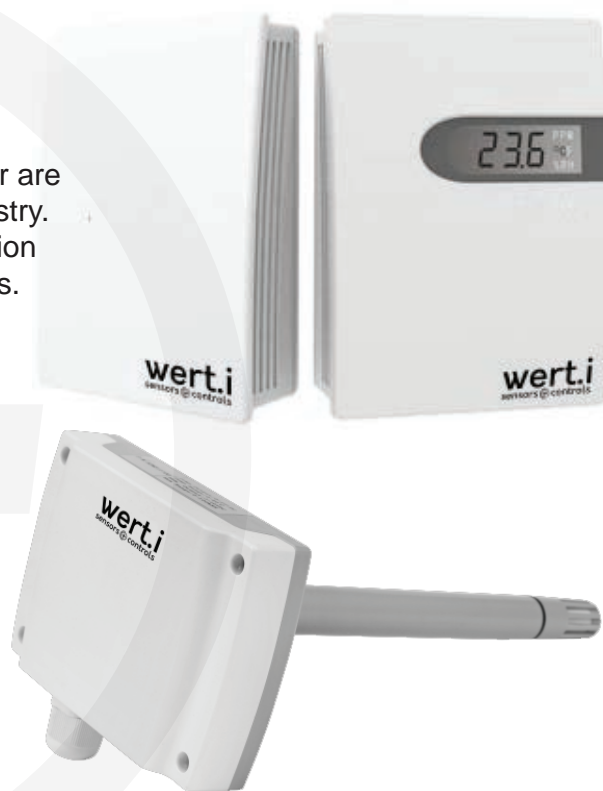


TEMPERATURE & HUMIDITY TRANSMITTER

The RHT series relative Humidity and Temperature Transmitter are designed for building automation systems in the HVAC/R industry. The combination of high accuracy, stability and reliable operation makes this product the ideal choice for demanding applications.

Features

- ✓ High performance digital sensors and circuits, ensure accurate measurement and temperature compensation
- ✓ Digital technology applied, multiple outputs optional, over voltage and reverse polarity protection, high reliability and anti-interference capability
- ✓ LCD display temperature and humidity alternatively
- ✓ LCD & function keys can set parameters and calibrate output, so the product can be a stand alone controller



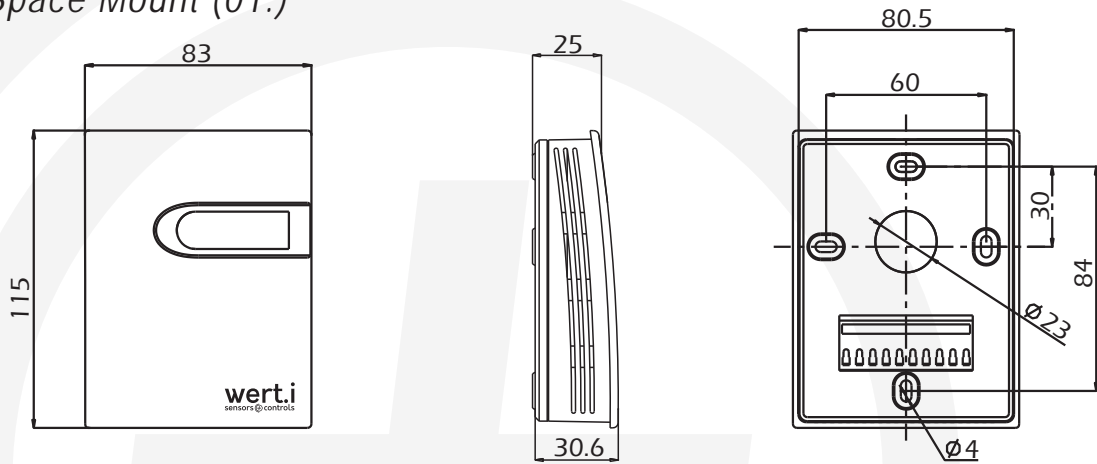
Specifications

Humidity sensor	Digital polymer
Range	0...100%RH
Output	4~20mA (2wires), 0~10VDC (3wires),RS485/Modbu
Accuracy	2%, 3%, (25°C, 20...80%RH)
Hysteresis	< ±1.0 %RH
Response time	<10s (25°C, in slow air)
Drif	<±0.5%RH / year
Temperature Sensor	Digital temperature sensor
Range	0~50°C, 0~100°C, -40~60°C, or others
Output	4~20mA (2wires), 0~10VDC (3wires),RS485/Modbus
Accuracy	Transmitter: ≤±0.4°C @ 5~60°C or 0.3°C @ 5~60°C
Power	Current: 18.5...35VDC (RL=500Ω); 8.5~35VDC (RL=0Ω) Voltage: 16...28VAC/ 16~35VDC
Output Load	≤500Ω (current), ≥2KΩ (voltage)
Relay output	2×SPST, 3A/30VDC, 3A/250VAC
Display and keys	4 digits LCD, with unit indication, backlight (4-20mA N/A), 3 touch keys, see more details on LCD & Keys operation
Work Temp.	-30...70°C (LCD: 0~50°C), 5~95%RH (Non cond.)
Housing	Fireproof ABS housing, UHMW-PE filter (Duct/Remote), ABS+PC (Space) SS probe and sintered filter (Wall)
Protection	IP65 (Duct,Remote and Wall Sensor), IP30 (Space Mount)
Weight	Space Mount: 110g, Duct mount:360g; Wall mount :270g; Remote Sensor :430g

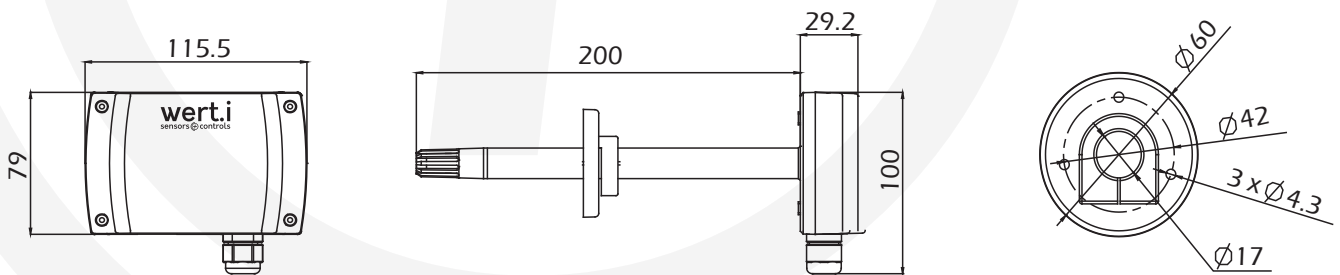
RHT SERIES

Dimensions (in mm)

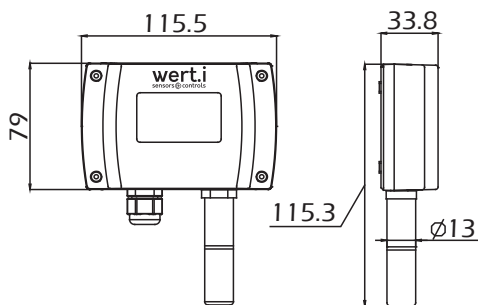
Space Mount (01.)



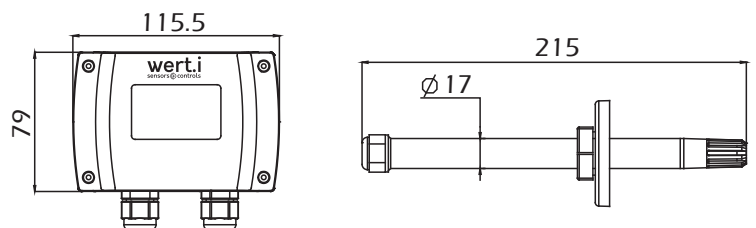
Duct Mount (02.)



Wall Mount (03.)

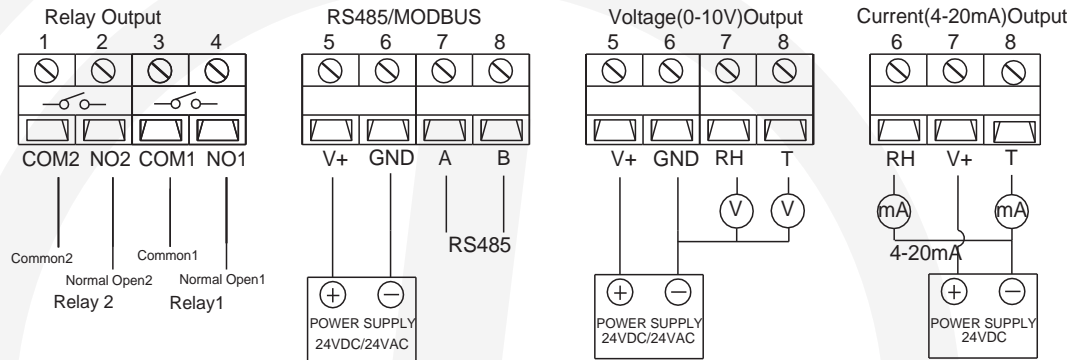


Remote Sensor (04.)

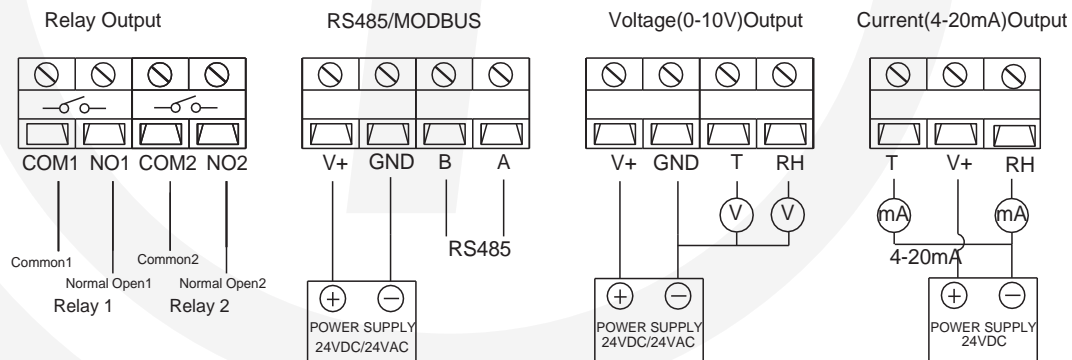


Connection Diagram

Space Mount



Duct Mount, Wall Mount & Remote Sensor



Ordering code

ITEM	CODE	
SERIES	RHT.	TEMPERATURE & HUMIDITY TRANSMITTER
TYPE	01.	Space Mount
	02.	Duct Mount
	03.	Wall Mount
	04.	Remote Sensor
OUTPUT SIGNAL	420	Current: 4 – 20mA DC (2 X 2 Wire)
	010	Voltage: 0 – 10V DC (3 / 4 Wire)
	485	RS485/ MODBUS
DISPLAY / KEYPAD	N	Without
	D	With Display
	K	Display with Keypad
CONTACT OUTPUT	N	Without
	R	2 X SPST (4 – 20mA N/A)