

DIFFERENTIAL PRESSURE GAUGE

The G2000 series differential pressure gauge is a low-cost, diaphragm operated, mechanical pressure gauge. The G2000 gauge can be used in applications for measuring positive, negative, or differential pressure with an accuracy of 2%. Standard applications include monitoring filter status, duct static pressure, room pressure, fan or blower pressure, paint booths, dust collectors, and cabinet purging along with many others.



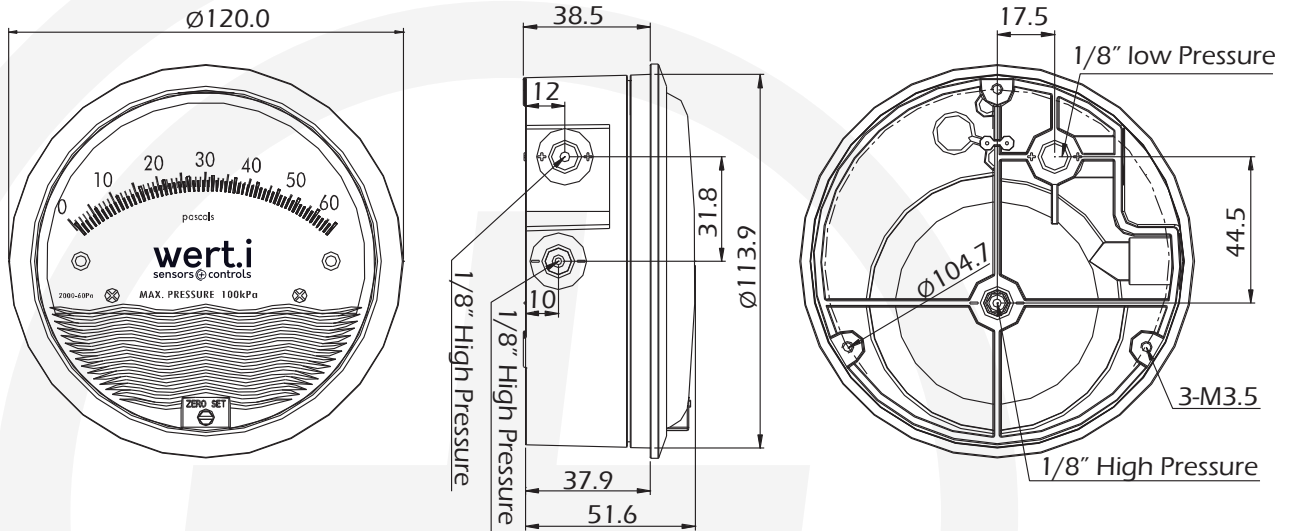
Features

- ✓ Resistance-free differential gauge for all air and non-corrosive gas installations
- ✓ 2% full scale accuracy*
- ✓ Industrial grade die-cast aluminum case
- ✓ 3 mounting adapters with screws included, other mounting accessories also available

| Specifications | |
|---------------------|--|
| Media compatibility | Air and non-combustible, compatible gases |
| Housing | Die cast aluminum case and bezel, with PC cover |
| Protection | IP67 |
| Accuracy | ±2%FS (±3% on 125Pa, ±4% on 60Pa) @21°C |
| Pressure Limits | -70 to 100 KPa |
| Size | 101.5mm (4") diameter dial face, 115.5 mm (4-9/16") dia. opening for flush mount |
| Temperature Limits | -7...60°C (20...140°F) |
| Process Connection | 1/8" female NPT duplicate high and low pressure taps - one pair side and one pair back |
| Weight | 440g |
| Mounting method | Flush or surface in vertical position |
| Accessories | Two 1/8"NPT pipe plugs, two 1/8" NPT to 3/16" rubber tubing adapters and three flush mounting adapters with screws |

G2000 SERIES

Dimensions (in mm)



Measuring Ranges

| Model Number | Range Pa | Model Number | Range in wc |
|------------------------------|--------------------|---------------------------------|--------------------|
| G2000-60NPa** | 10-0-50 | G2000-00N** | 0.05-0-.2 |
| G2000-60Pa** | 0-60 | G2000-00** | 0-.25 |
| G2000-100Pa* | 0-100 | G2000-0* | 0-.50 |
| G2000-125Pa* | 0-125 | G2001 | 0-1.0 |
| G2000-250Pa | 0-250 | G2002 | 0-2.0 |
| G2000-500Pa | 0-500 | G2003 | 0-3.0 |
| G2000-750Pa | 0-750 | G2004 | 0-4.0 |
| Zero Center Ranges Pa | | G2005 | 0-5.0 |
| G2300-60Pa** | 30-0-30 | G2006 | 0-6.0 |
| G2300-120Pa* | 60-0-60 | G2008 | 0-8.0 |
| G2300-250Pa | 125-0-125 | G2010 | 0-10 |
| G2300-500Pa | 250-0-250 | G2012 | 0-12 |
| Model Number | Range kPa | G2015 | 0-15 |
| G2000-1KPa | 0-1 | G2020 | 0-20 |
| G2000-1.5KPa | 0-1.5 | G2025 | 0-25 |
| G2000-2KPa | 0-2 | G2030 | 0-30 |
| G2000-3KPa | 0-3 | G2040 | 0-40 |
| G2000-4KPa | 0-4 | Zero Center Ranges in wc | |
| G2000-5KPa | 0-5 | G2300-00** | .125-0-.125 |
| G2000-8KPa | 0-8 | G2300-0* | .25-0-.25 |
| G2000-10KPa | 0-10 | G2301 | .5-0-.5 |
| Zero Center Range Kpa | | G2302 | 1-0-1 |
| G2300-1KPa | .5-0-.5 | G2304 | 2-0-2 |
| G2300-2KPa | 1.0-0-1.0 | G2310 | 5-0-5 |
| Model Number | Range mm wc | Model Number | Range cm wc |
| G2000-6MM** | 0-6 | G2000-15CM | 0-15 |
| G2000-10MM* | 0-10 | G2000-20CM | 0-20 |
| G2000-15MM* | 0-15 | G2000-25CM | 0-25 |
| G2000-25MM | 0-25 | G2000-50CM | 0-50 |
| G2000-30MM | 0-30 | G2000-80CM | 0-80 |
| G2000-50MM | 0-50 | G2000-100CM | 0-100 |
| G2000-80MM | 0-80 | Zero Center Ranges cm wc | |
| G2000-100MM | 0-100 | G2300-4CM | 2-0-2 |
| G2000-150MM | 0-150 | G2300-10CM | 5-0-5 |
| G2000-250MM | 0-250 | G2300-20CM | 10-0-10 |
| G2000-300MM | 0-300 | Zero Center Ranges mm wc | |
| G2000-500MM | 0-500 | G2300-6MM** | 3-0-3 |
| | | G2300-10MM* | 5-0-5 |
| | | G2300-20MM | 10-0-10 |

**Accuracy 4%; *Accuracy 3%; others accuracy 2%