

DIFFERENTIAL PRESSURE TRANSMITTER

The DPT-V3 series pressure transmitters are engineered for static and differential pressure measurements for air and non-aggressive gases in the HVAC industry. Due to the use of a high-accuracy sensor with lowest drift and a precise individual calibration of the transmitter, the DPT-V3 Series does not need a costly auto-zero valve and is nevertheless completely maintenance free.

Features

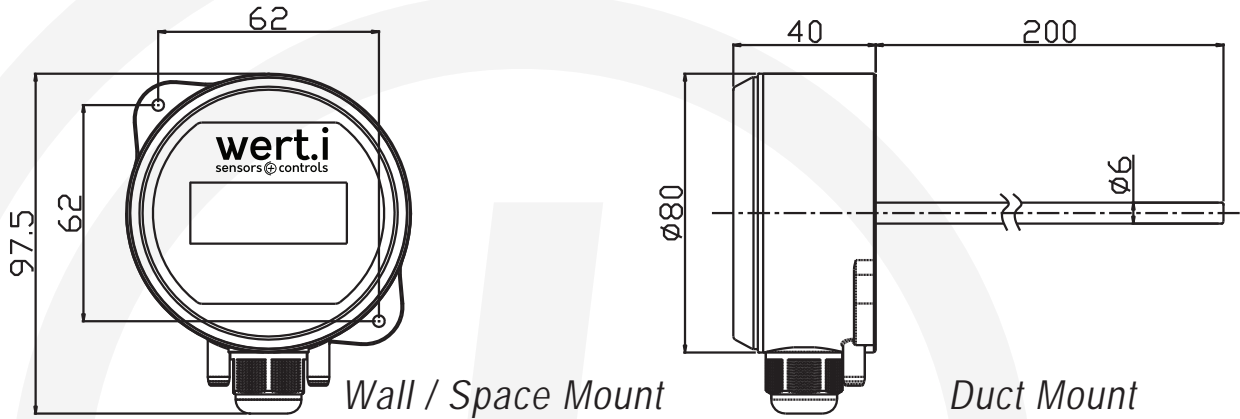
- ✓ Apply high accuracy MEMS sensor and digital technologies, can measure positive, negative or differential pressure
- ✓ Multiple ranges, engineering units and outputs
- ✓ Good performance with accuracy of 1.0% and range as low as 25Pa
- ✓ Function keys: zero calibrate, unit select, response time set, etc
- ✓ Field upgradable LCD display module and multiple ranges selection



Specifications	
Medium	Non-combustible, non-corrosive air, insensitive to moisture, dust, condensation & oil
Working Temp.	-20...70°C
Medium Temp.	0...60°C
Temp. Compensation	0...50°C
Working Pressure	Overload 10xFS, burst 15xFS
Accuracy	±1.0%FS(±2.0%FS@25Pa range)
Long term stability	±0.5%FS/Year
Thermal effect	<0.05%FS/°C (zero), <0.08%FS/°C (FS)
Response Time	0.5~30s, can be set by keys
Process Connection	5mm ID tubing
Display	5 digits LCD, display area 44x18mm, with unit indication, field upgradable
Output	0~10V, 4~20mA (2 wires), RS485 selectable
Output Load	≤500Ω (current), ≥2kΩ (voltage)
Power	Voltage: 16~28VAC/ 16~35VDC Current: 18.5~35VDC (RL=500Ω); 8.5~35VDC (RL=0Ω)
Units	5 units, selected by keys (Pa, Kpa, in w.c, mm w.c, mbar)
Zero set	Easy to reset by external key
Materials	ABS (housing) & PC (cover)
Protection	IP65
Weight	165g

DPT-V3 SERIES

Dimensions (in mm)



Measuring Ranges

CODE	Unit & Range & Display Resolution					
	Pa	Pa	KPa	in w.c.	mm w.c.	mbar
01	0-25 / 60 / 125	25.00	0.025	0.100	2.500	0.250
		60.00	0.060	0.250	6.000	0.600
		125.00	0.125	0.500	12.00	1.250
02	0-250 / 500 / 1000	250.0	0.250	1.000	25.00	2.500
		500.0	0.500	2.000	50.00	5.000
		1000	1.000	4.000	100.0	10.00
03	0-2500 / 5000 / 10000	2500	2.500	10.00	250.0	25.00
		5000	5.000	20.00	500.0	50.00
		10000	10.00	40.00	1000	100.0

1. Each model has 3 ranges which could be jumper selected.
2. Set the 5 engineering units by button keys and the related LCD indicator will be on
3. For zero center models, add "Z" at the end of the model. For example, DPT-V3.011xxZ, means the range is -30-0-30/-62.5-0-62.5pa. 25Pa does not have this function. DPT-V3.02xxZ, means the range is -125-0-125/-250-0-250/-500-0-500pa. Code 3 does not have this function.

Ordering code

ITEM	CODE		
SERIES	DPT-V3.		DIFFERENTIAL PRESSURE TRANSMITTER
RANGE	01.		0-25 / 60 / 125 PA
	02.		0-250 / 500 / 1000 PA
	03.		0-2500 / 5000 / 10000 PA
OUTPUT SIGNAL	420		Current: 4 – 20mA DC (2 Wire)
	010		Voltage: 0 – 10V DC (3 Wire)
	050		Voltage: 0 – 5VDC (3 Wire)
	485		MODBUS RS485
DISPLAY / KEYPAD	N		Without
	D		With Display
ZERO CENTER	N		Without
	Z		With zero center
TYPE		N	Wall / Space
		D	Duct