

DIFFERENTIAL PRESSURE SWITCH

DPS107 series adjustable differential pressure switch for monitoring overpressure, vacuum and differential pressure of air or other noncombustible, non-aggressive gases for both HVAC and Energy Management Applications. Automatic reset and field adjustable setpoints. The differential pressure switch includes a SPDT relay rated for 1.5A @ 250V and can be set as low as 20 Pa.



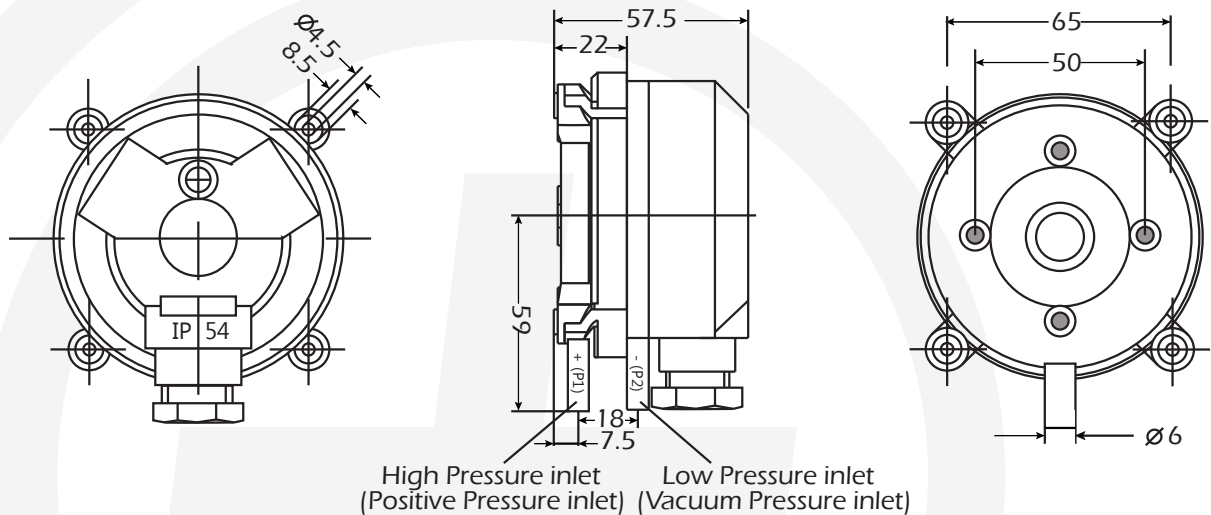
Features

- ✓ High Quality, Low-Cost
- ✓ Adjustment knob enables easy switch point setting
- ✓ Transparent cover for setpoint confirmation
- ✓ Switch can be set up as N.O. or N.C.
- ✓ Installer kit with PVC tubing included

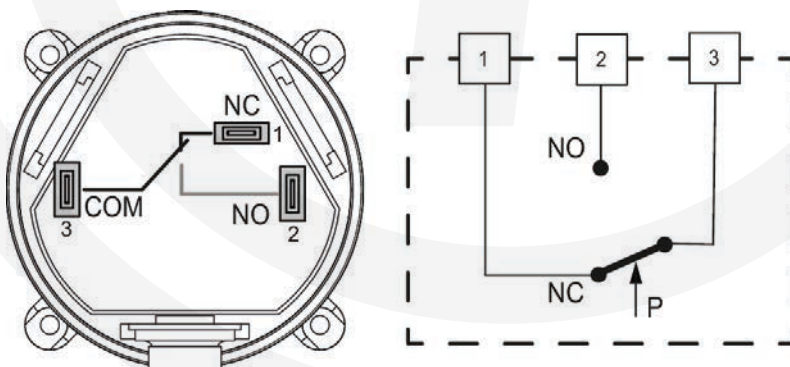
Specifications

Medium	Air, non-combustible and non-aggressive gases
Pressure Limits	10 kPa for all pressure ranges
Switch Type	Single-pole double-throw (SPDT)
Electrical Rating	Max. 1.5 A res./0.4 A ind./250 VAC, 50/60 Hz; Max. switching rate: 6 cycles/min
Electrical connections	AMP flat plug 6.3x0.8 mm or push-on screw terminals
Temperature Limits	Process and ambient temperature from -4 to 185°F (-20 to 85°C).
Pressure connections	6.0 mm diameter for tube connection
Mounting Orientation	Vertically, with pressure connections pointing downwards
Housing materials	Switch body and cover of plastic
Protection category	IP54(With Cover),IP00 (without Cover)
Weight	With cover 150 g, without cover 110 g

Dimensions (in mm)



Connection Diagram



Ordering code

ITEM	CODE	
SERIES	DPS107.	DIFFERENTIAL PRESSURE SWITCH
	220	20 – 200 PA / ≤ 10 PA / ≤ 15%
	330	30 – 300 PA / ≤ 10 PA / ≤ 15%
	440	40 – 400 PA / ≤ 20 PA / ≤ 15%
	550	50 – 500 PA / ≤ 20 PA / ≤ 15%
PRESSURE RANGES / DIFFERENTIAL / TOLLERANCE	210	200 – 1000 PA / ≤ 100 PA / ≤ 15%
	525	500 – 2500 PA / ≤ 150 PA / ≤ 15%
	150	1000 – 5000 PA / ≤ 150 PA / ≤ 15%